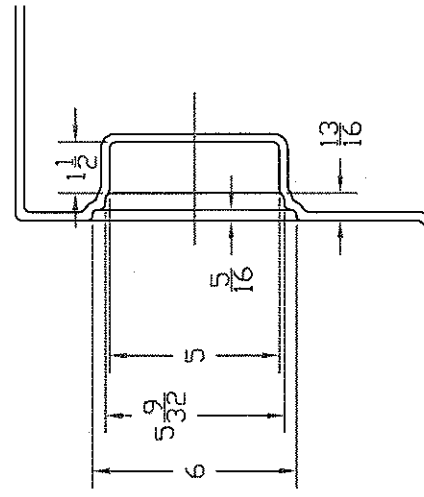
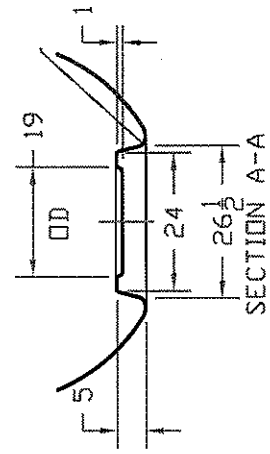
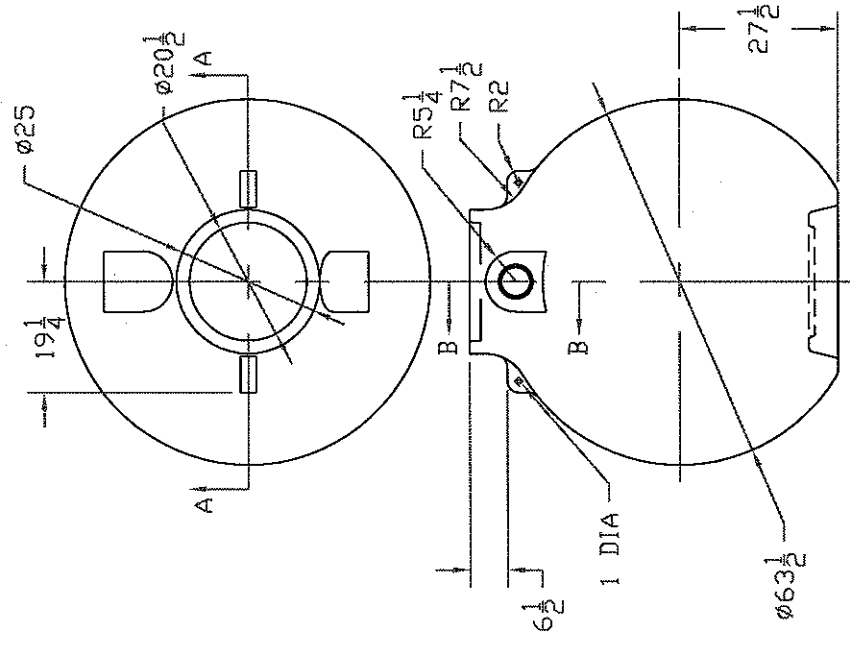
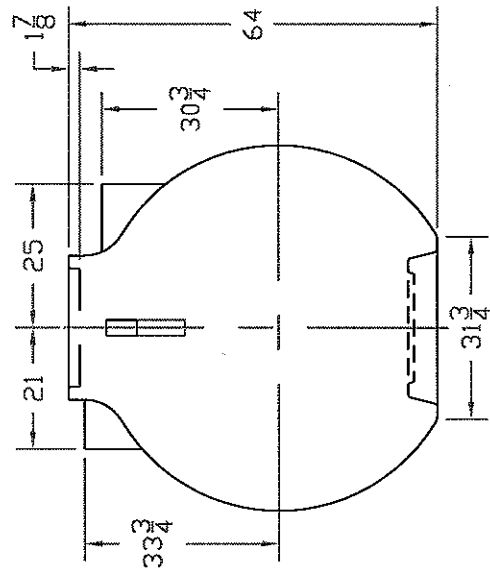


REVISIONS			DATE	APPROVED
ZONE	REV	DESCRIPTION		
	A	ADDED HUBBED INLET DELETED LID NOTCHES	14OCT02	



SECTION B-B  
1/4 SCALE

NOTE: THIS GASKET RECESS IS AT INLET ONLY. OUTLET IS FLAT.



**NORWESCO**  
ST. BONIFACIUS, MN

550 GALLON CISTERN

JTP	02SEP98	SIZE	FSCM NO.	DWG NO.	REV
		B		40856	A
SCALE 1/24					SHEET